



COMMERCIAL VEHICLE AUCTIONS LTD
THE UK'S MOST ESTABLISHED COMMERCIAL VEHICLE AUCTIONEERS

Carr Hill Industrial Estate
Doncaster
DN4 8DE

01302 732600 | cva.noreply@cva-auctions.co.uk

VEHICLE INSPECTION REPORT

PN14TSO

Daf LF 180

Inspection		Vehicle	
Serious Damage?	No	VAT	Plus VAT
		V5	Present

Details			
Reg. date	12/08/2014	Colour	ORANGE
Year	2014	VIN	XLRAEL2500L435731
Mileage	499,937 Km Warranted	Body Style	Box Van
Fuel Type	Diesel	MOT Due	31/08/2026
GVW	14000kg	Cab Type	DAY CAB
		Gearbox	AUTOMATIC
		Axle Combi	4x2
		Rear Suspension	Steel
		Rear Doors	Roller
		Tail Lift	Column

TWIN SIDE DOOR.

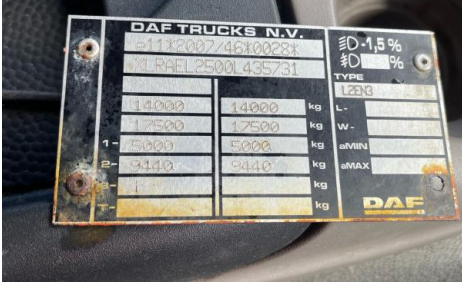
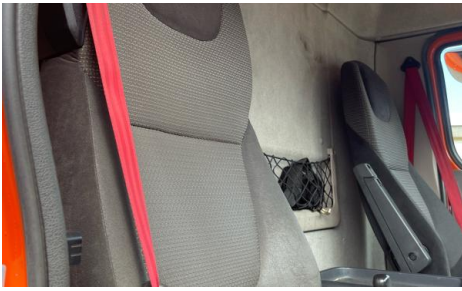
Tyres				
NSF	NSI1	NSI2	NSI3	NSI4
OSF	OSI1	OSI2	OSI3	OSI4
Spare	NSO1	NSO2	NSO3	NSO4
	OSO1	OSO2	OSO3	OSO4

Features

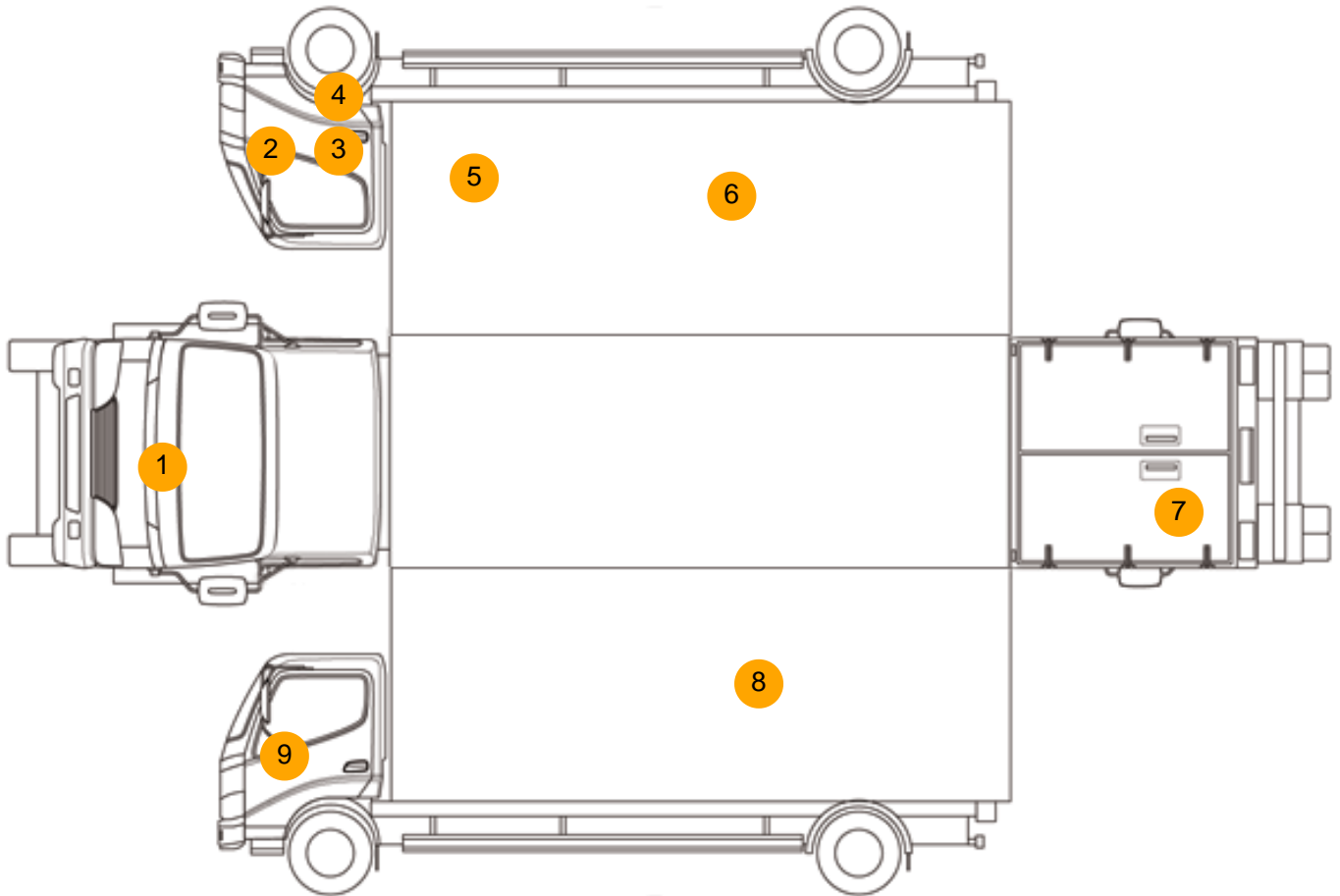
- Radio/CD

Photos





Condition Check



Damage Photos



1: Bonnet
Chipped
Multiple Chips

2: Wing osf
Cracked
Replace



3: Door osf
Dented
With Paint Damage

4: Door Moulding osf
Scuffed (Unpainted)
Over 100mm



5: B Post os
Dented
Over 30mm

6: Qtr Panel osr
Rusted
Over 5mm



7: Tailgate
Rusted
Over 5mm

8: Qtr Panel nsr
Rusted
Over 5mm



9: Door nsf
 Dented
 With Paint Damage

Interior

Carpet Condition	Average	Upholstery Condition	Average
Seat Condition	Average	Odour	-
Engine Runs	OK	Gearbox 1st and Reverse Test	OK
Brakes	OK	Clutch Slip Test from Static	OK
Turbo Boosting	OK	Gearbox Static Gear Selection (engine running)	OK
Parking Brake	OK	No Excessive Smoking	OK
EML light illuminated	OK	Oil warning light illuminated	OK
Airbag light illuminated	OK	DPF light illuminated	OK
ABS light illuminated	OK	Service indicator light illuminated	OK
Windows	OK	Radio	OK
		Steering	OK